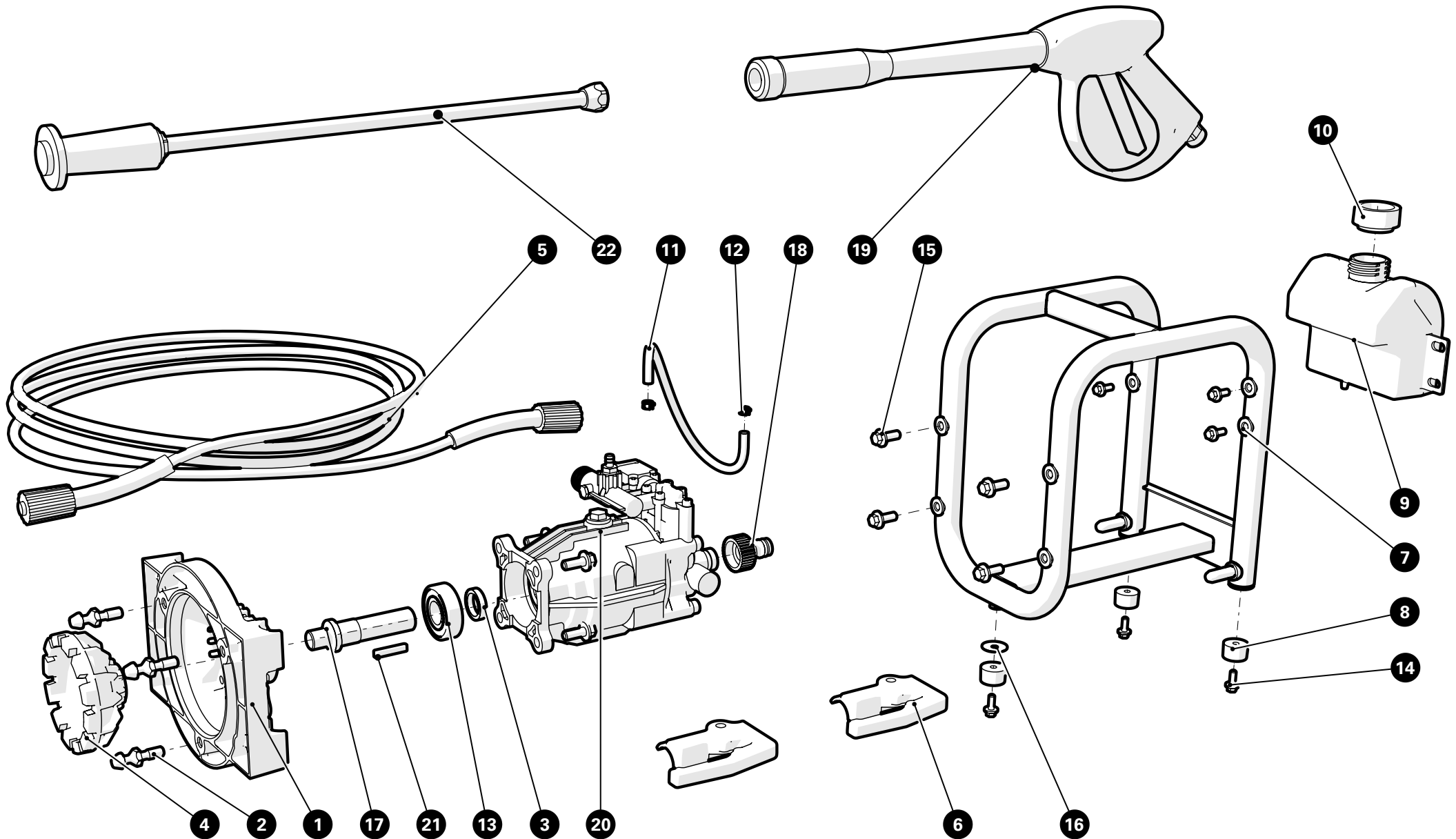




PRESSURE WASHER (PW3200)
WITH EVO-SYSTEM® TECHNOLOGY
DIAGRAM PART NUMBER: 014-0109

Registered Design. Patent Pending 1101605.2.





**PRESSURE WASHER (PW3200)
WITH EVO-SYSTEM® TECHNOLOGY
DIAGRAM PART NUMBER: 014-0109**

Registered Design. Patent Pending 1101605.2.

No.	Part No.	Description	Quantity
1	014-1160	Adapter	1
2	014-1066	Pin	3
3	014-1119	Sleeve	1
4	014-1129	Accessory Hub	1
5	014-1132	High Pressure Hose 6m	1
6	014-1153	Lance Holder	2
7	014-1161	Frame	1
8	014-1165	Rubber Feet	3
9	014-1170	Detergent Tank	1
10	014-1171	Cap	1
11	014-1172	Detergent Hose	1

No.	Part No.	Description	Quantity
12	014-1173	Hose Clip	2
13	F-B-6204-2RSR	Bearing 6204-2RSR	1
14	F-HFS-M6-15-ST-BZP	M6 x 15 Hex Flanged Screw	7
15	F-HFS-M8-20-ST-BZP	M8 x 20 Hex Flanged Screw	8
16	F-RW-M6-X-ST-BZP	M6 Repair Washer	1
17	014-1052	Shaft	1
18	014-1055-1	Quick release adapter	1
19	014-1133	Lance	1
20	014-1055	High Pressure Pump	1
21	014-1225	Woodruff key	1
22	014-1133-01	Lance end pipe assy	1